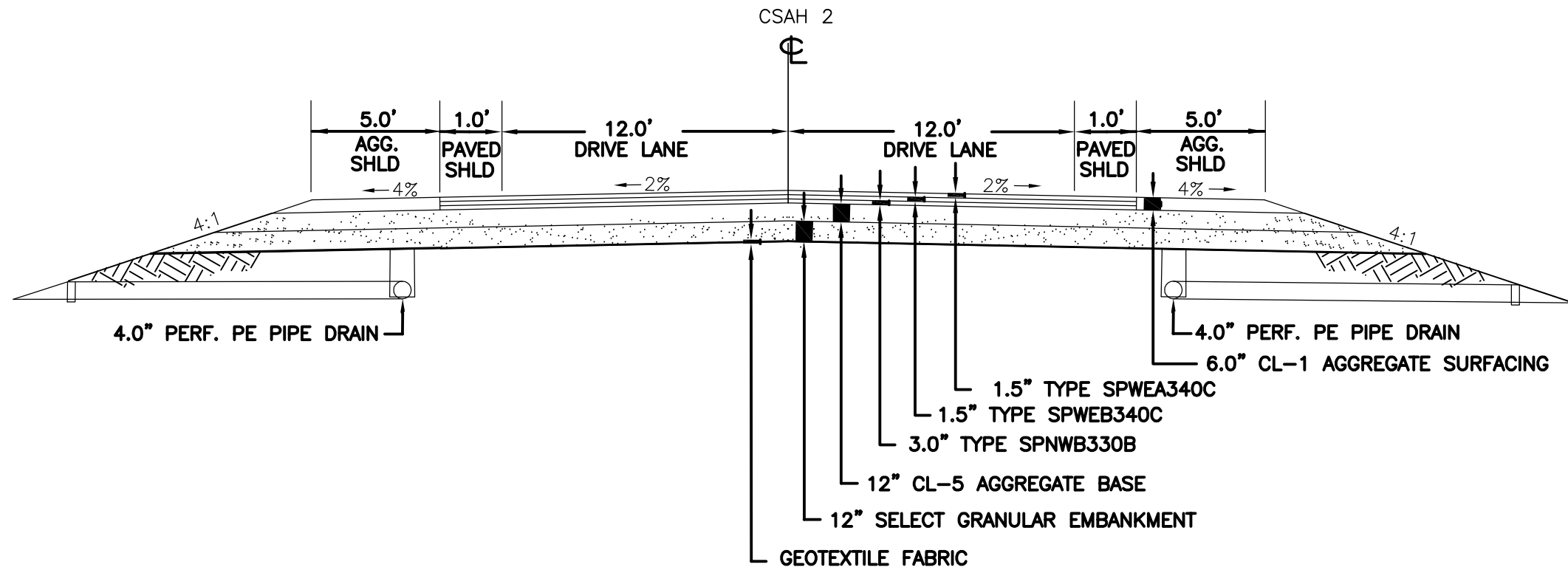


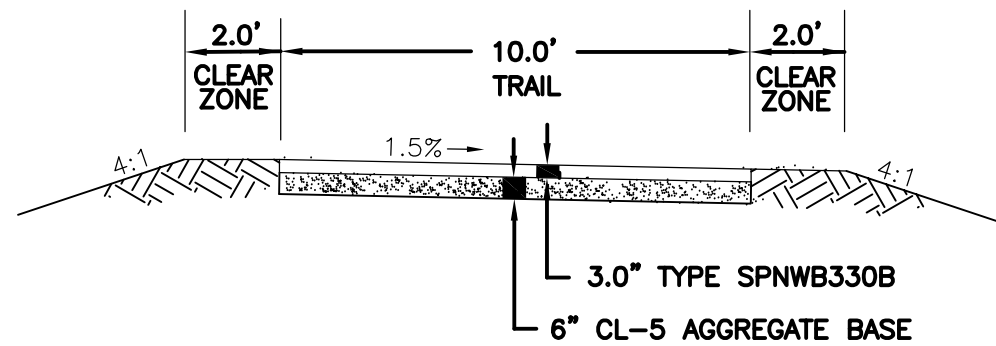
TYPICAL PAVING SECTION

NOT TO SCALE



SHARED USE PATH

NOT TO SCALE



TYPICAL SECTIONS
MISC. DETAILS