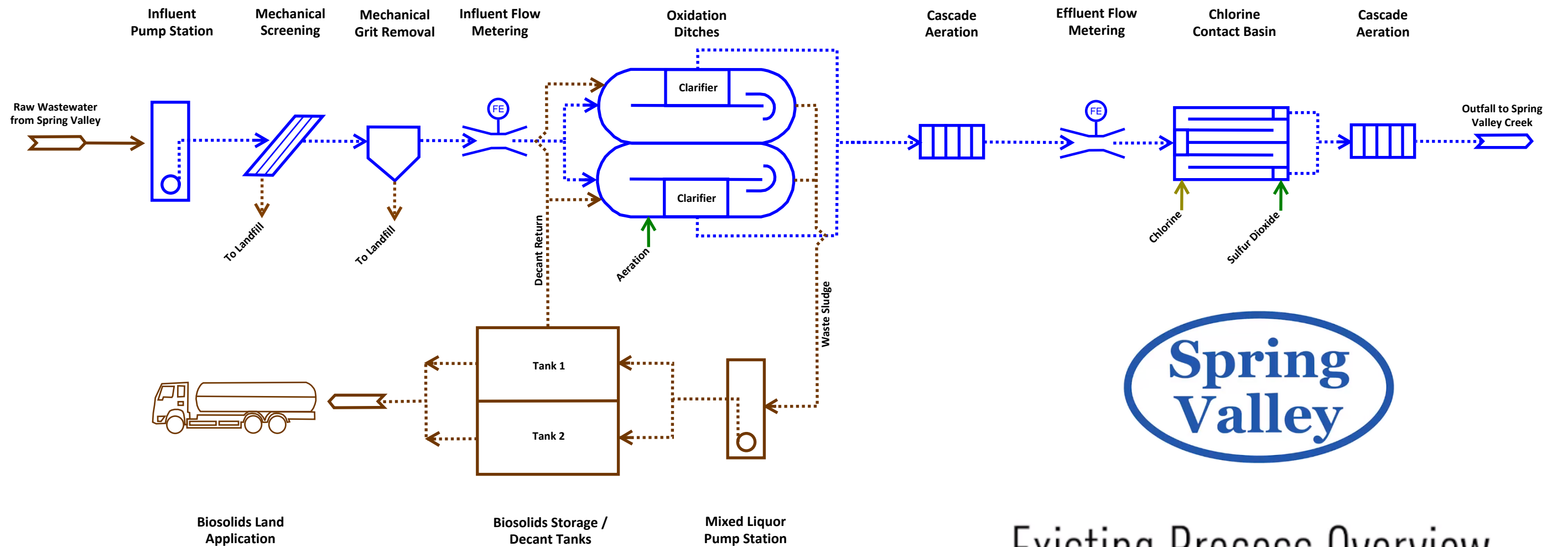


Liquid-Stream Process

Pretreatment

Biological Treatment

Disinfection & Re-Aeration



Existing Process Overview

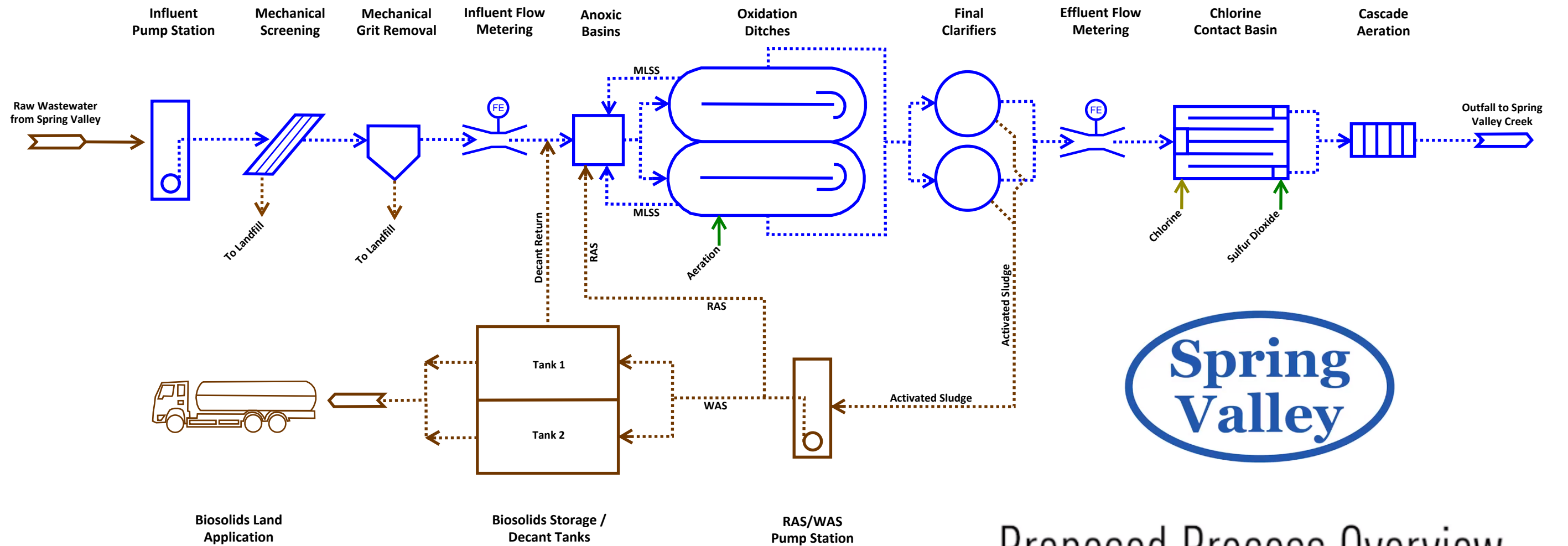
Solid-Stream Process

Liquid-Stream Process

Pretreatment

Biological Treatment

Disinfection & Re-Aeration



Proposed Process Overview